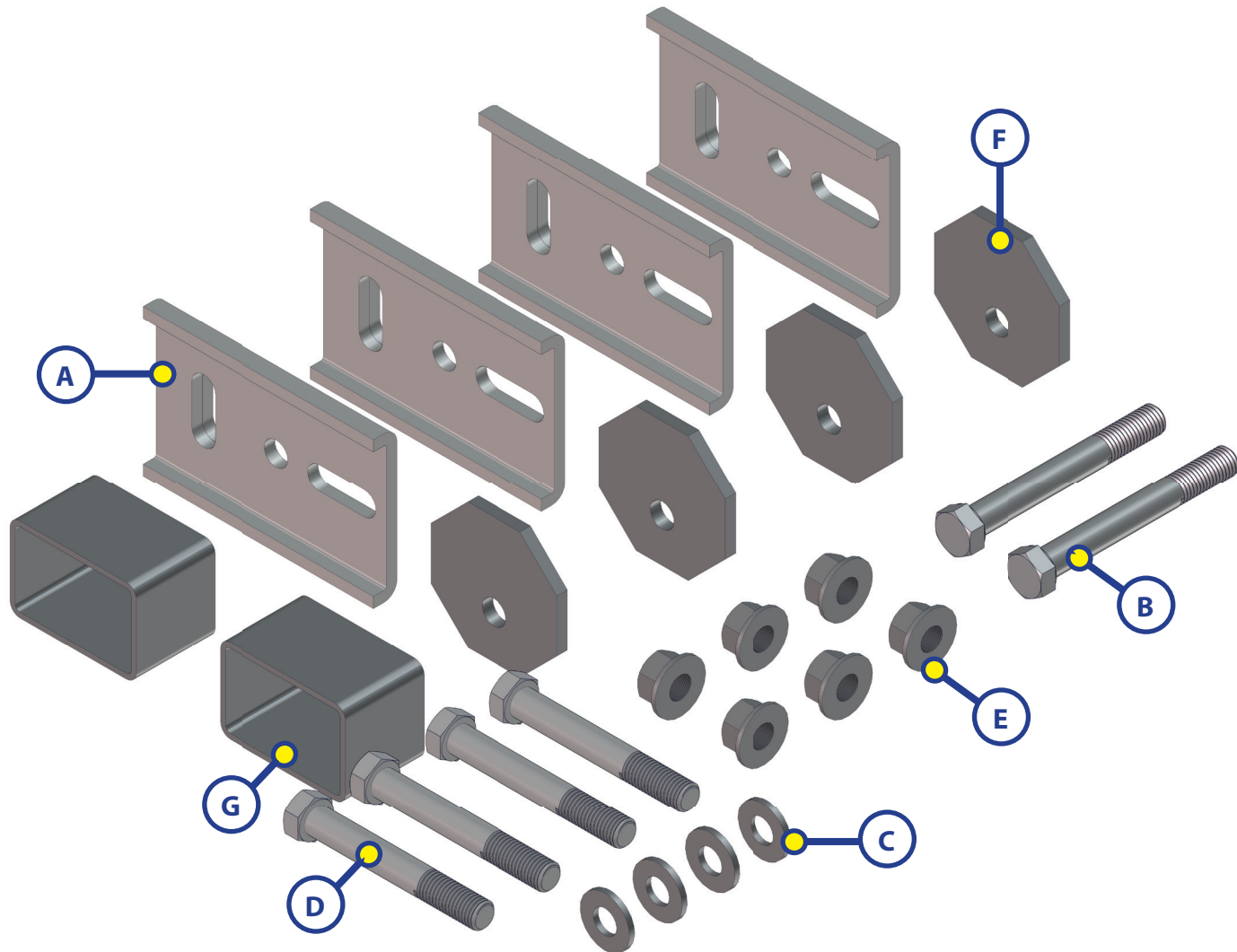




LIPPERT
COMPONENTS

CORRECT TRACK

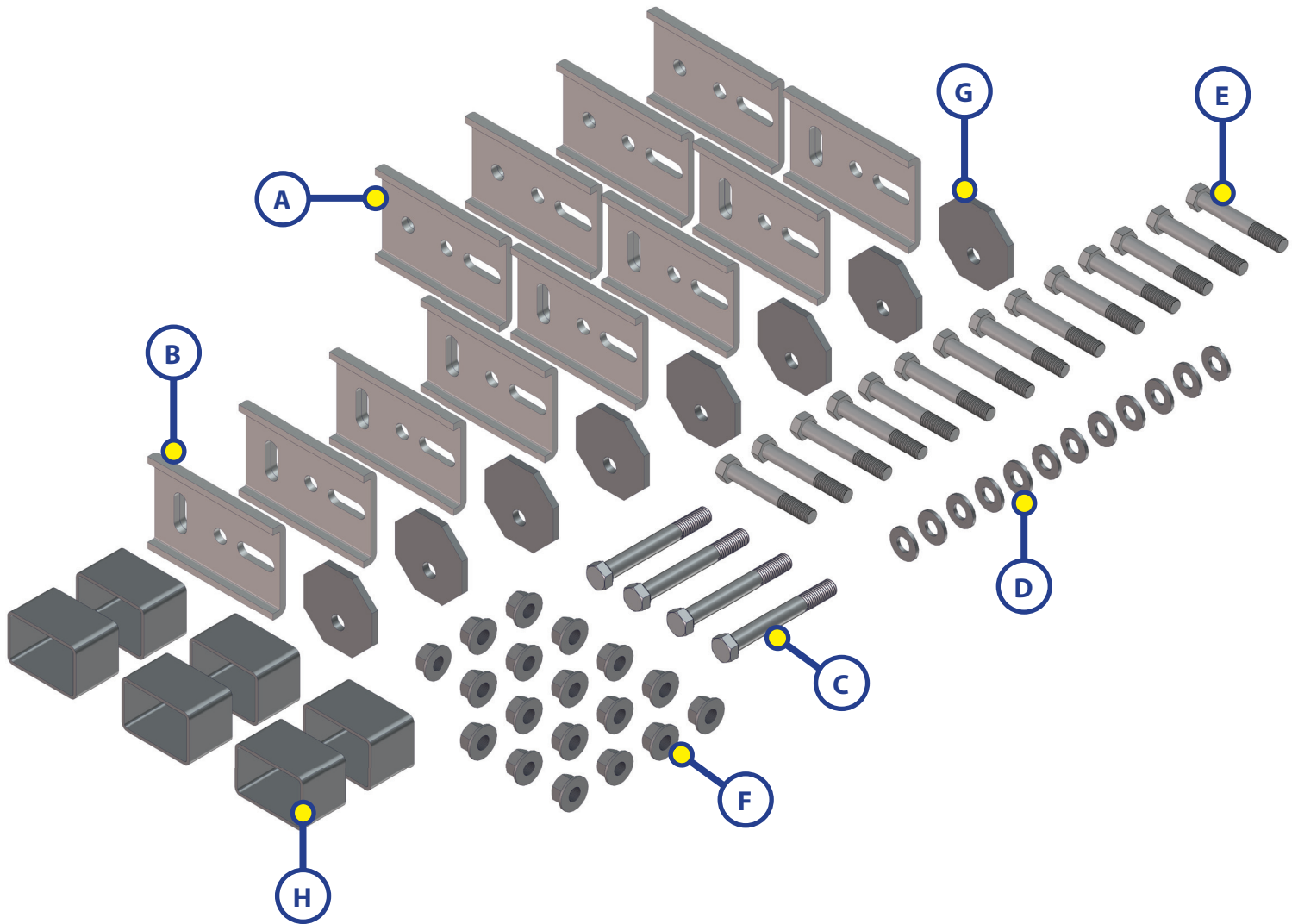
AXLES AND SUSPENSION



Single Axle Kit - Part # 322575			
Callout	Part #	Description	Quantity
A	290960	Spring Plate	4
B	247991	Bolt 9/16 - 18 x 4.5 Hex	2
C	140776	.56 x 1.18 x .12 SAE Washer	4
D	163535	Bolt 9/16 - 18 x 4	4
E	131378	Nut 9/16 - 18 Hex Flange	6
F	290731	Adjustment Cam	4
G	290967	Spacer Block	2

CORRECT TRACK

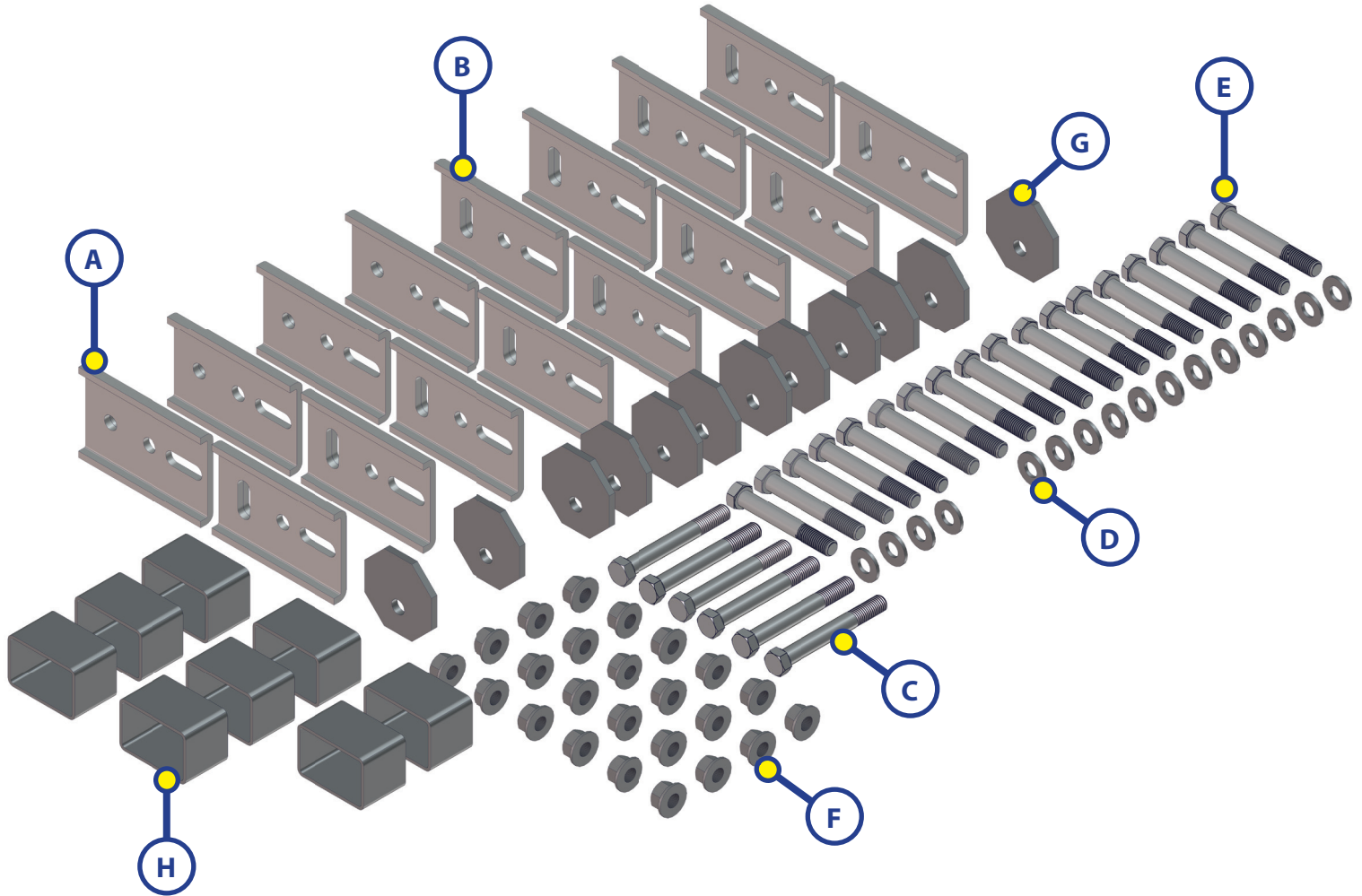
AXLES AND SUSPENSION



Tandem Axle Kit - Part # 322590			
Callout	Part #	Description	Quantity
A	290959	Equalizer Plate	4
B	290960	Spring Plate	8
C	247991	Bolt 9/16 - 18 x 4.5 Hex	4
D	140776	.56 x 1.18 x .12 SAE Washer	12
E	163535	Bolt 9/16 - 18 x 4	14
F	131378	Nut 9/16 - 18 Hex Flange	18
G	290731	Adjustment Cam	8
H	290967	Spacer Block	6

CORRECT TRACK

AXLES AND SUSPENSION



Triple Axle Kit - Part # 322609			
Callout	Part #	Description	Quantity
A	290959	Equalizer Plate	4
B	290960	Spring Plate	12
C	247991	Bolt 9/16 - 18 x 4.5 Hex	6
D	140776	.56 x 1.18 x .12 SAE Washer	16
E	163535	Bolt 9/16 - 18 x 4	18
F	131378	Nut 9/16 - 18 Hex Flange	24
G	290731	Adjustment Cam	12
H	290967	Spacer Block	8